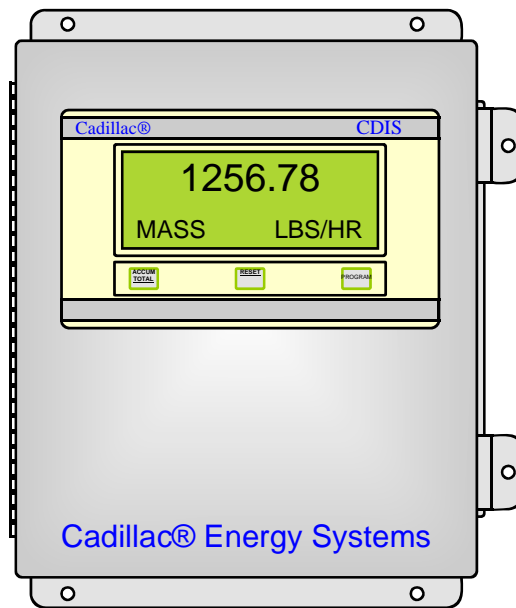


Cadillac[®] CDIS

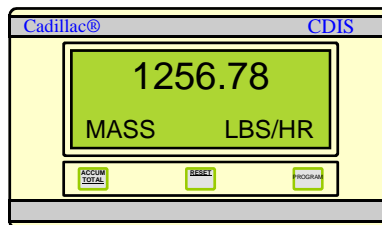
Central Station Steam Co.[®]

GENERAL INFORMATION

Wall Mount



Panel Mount



Central Station Steam Co.[®]

CADILLAC[®] METERS

15615 SW 74th Ave., Ste #150 Phone: 888-556-3913
Tigard, OR 97224 Fax: 503-624-6131

www.cadillacmeter.com

THE ENERGY SYSTEM OF CHOICE

The Cadillac® CDIS Remote display is designed to provide a local, wall or panel mounted display, for the Cadillac CV-P, CV-HS, CV-U Vortex MASS flow meters in a saturated steam or fixed pressure gas flow application. The CDIS display shares the same electronics platform and configuration architecture as the HEATX Energy / BTU Meter, providing the end user the same look and feel for either device. The CDIS display is a rate and totalizing device, which is capable of calculating and displaying Volume, MASS, and Energy. Combined with Cadillac®'s superior flow meter technologies the CDIS provides the most accurate, repeatable, and maintenance free energy system available in the industry.

The CDIS remote display will receive the compensated or MASS Pulse output from one the Cadillac® CV Vortex style meters, and will display, and retransmit (if desired) the Energy, consumed.

THE NEW INDUSTRY STANDARD

Combined with Cadillac®'s superior flow meter technologies the CDIS has quickly become acknowledged as the industry standard. Customers choose the Cadillac® CDIS remote display because of proven:

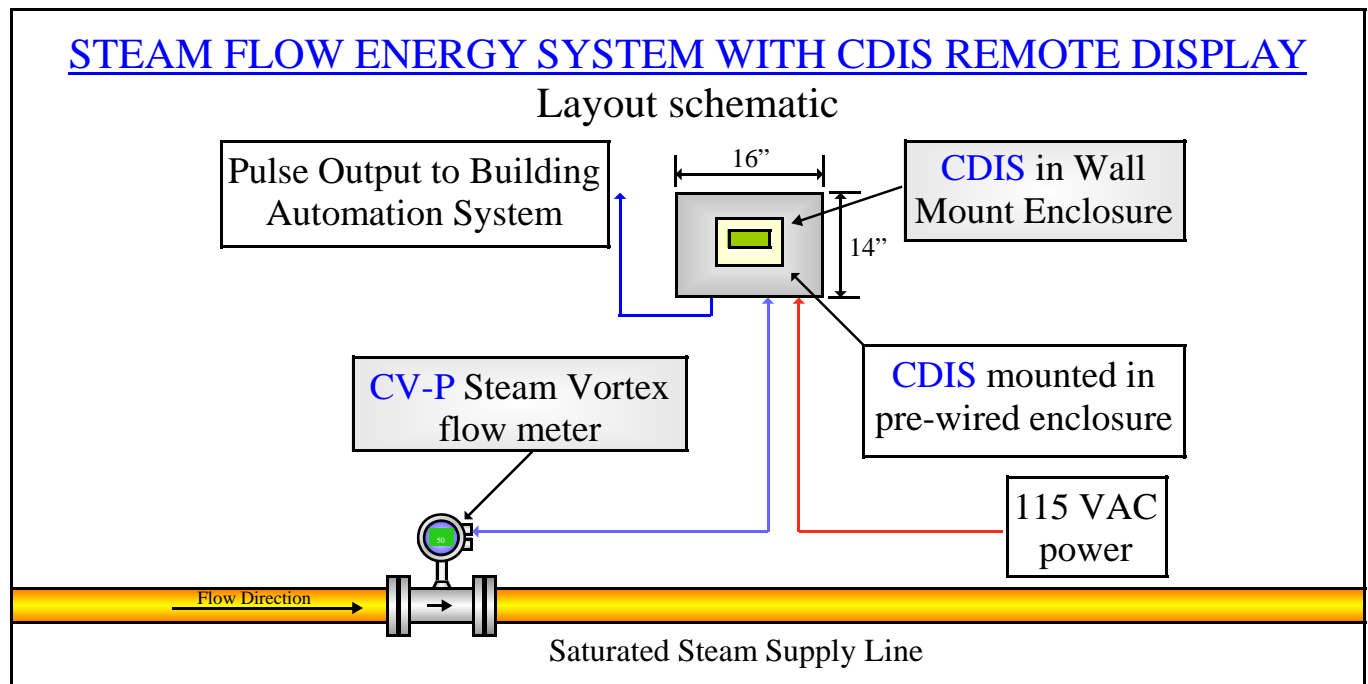
- ◆ **FAMILIAR LOOK & FEEL, DEPENDABILITY, CONSISTENCY, LOW MAINTENANCE, RANGEABILITY**

APPLICATIONS

- Energy consumption data source for energy management system, DCS, district-wide systems.
- Energy-Customer Billing from accurately totalized Energy / MASS measurements.
- Basis for internal cost distribution using campus-wide systems.
- Efficiency measuring and monitoring from central control rooms.
- Direct Energy / MASS measurements at both Boiler and "point of use" locations.

FEATURES

- **Display Options:**
Rate, Total, and accumulated Total
- **Fully Programmable:**
K-Factor, Decimal point positions, filter constants and time base are all user programmable.
- **Non-Linearity Correction:**
Available with 10 point linearization allows for input correction to non-linear K-factors or frequency inputs.
- **Solid State Relay Outputs:**
Where two separate registers totalize positive and negative totals.



Remote Display MASS Flow Measurement for Saturated Steam flow applications

CDIS — Saturated Steam Heating Application

CDIS - Output(s) provide:

- (2) Solid state relay outputs for driving DC solenoids or external relays
- (1) Relay may be configured to provide a pulse (scaled or unscaled) output

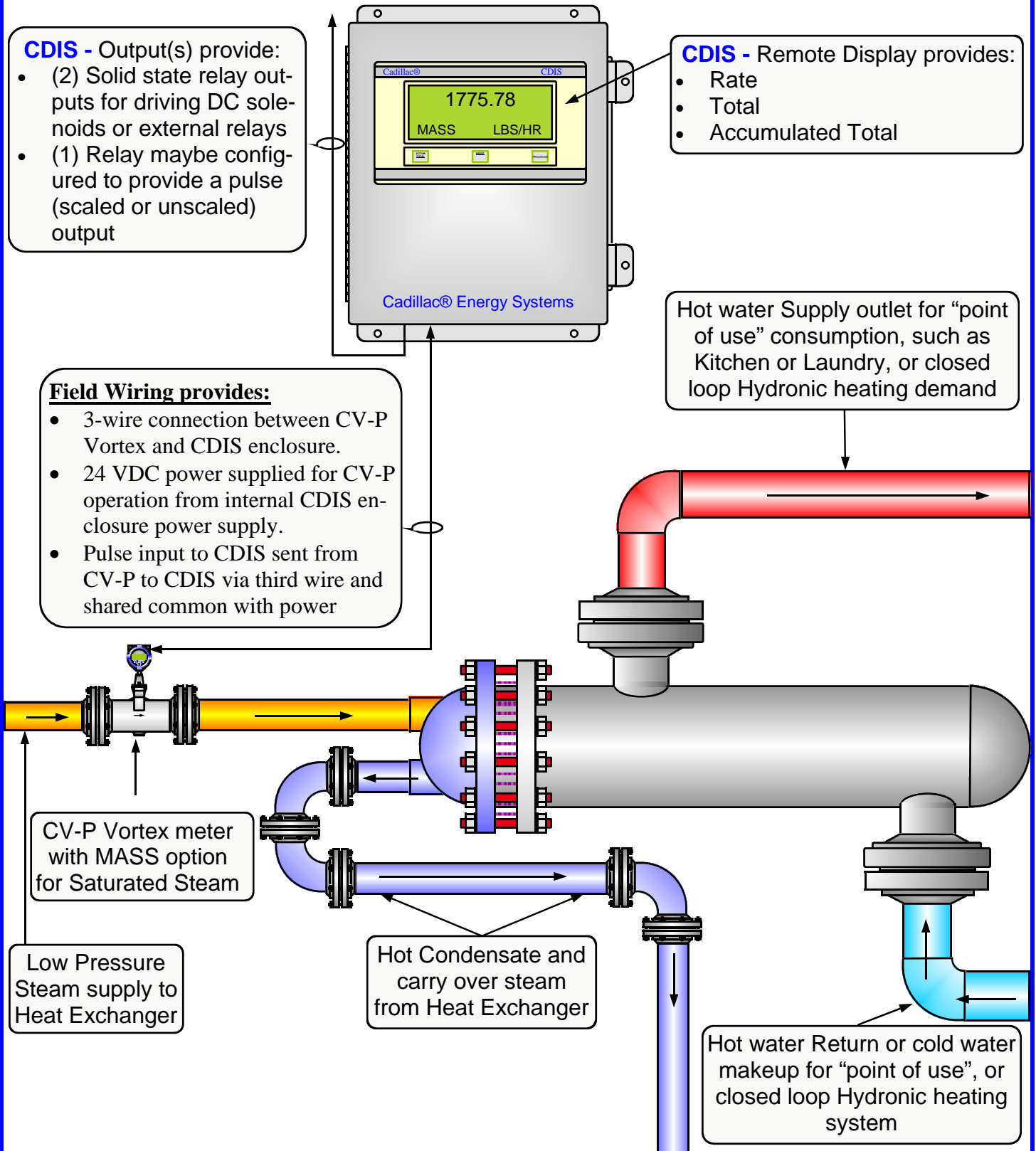
CDIS - Remote Display provides:

- Rate
- Total
- Accumulated Total

Field Wiring provides:

- 3-wire connection between CV-P Vortex and CDIS enclosure.
- 24 VDC power supplied for CV-P operation from internal CDIS enclosure power supply.
- Pulse input to CDIS sent from CV-P to CDIS via third wire and shared common with power

Hot water Supply outlet for "point of use" consumption, such as Kitchen or Laundry, or closed loop Hydronic heating demand

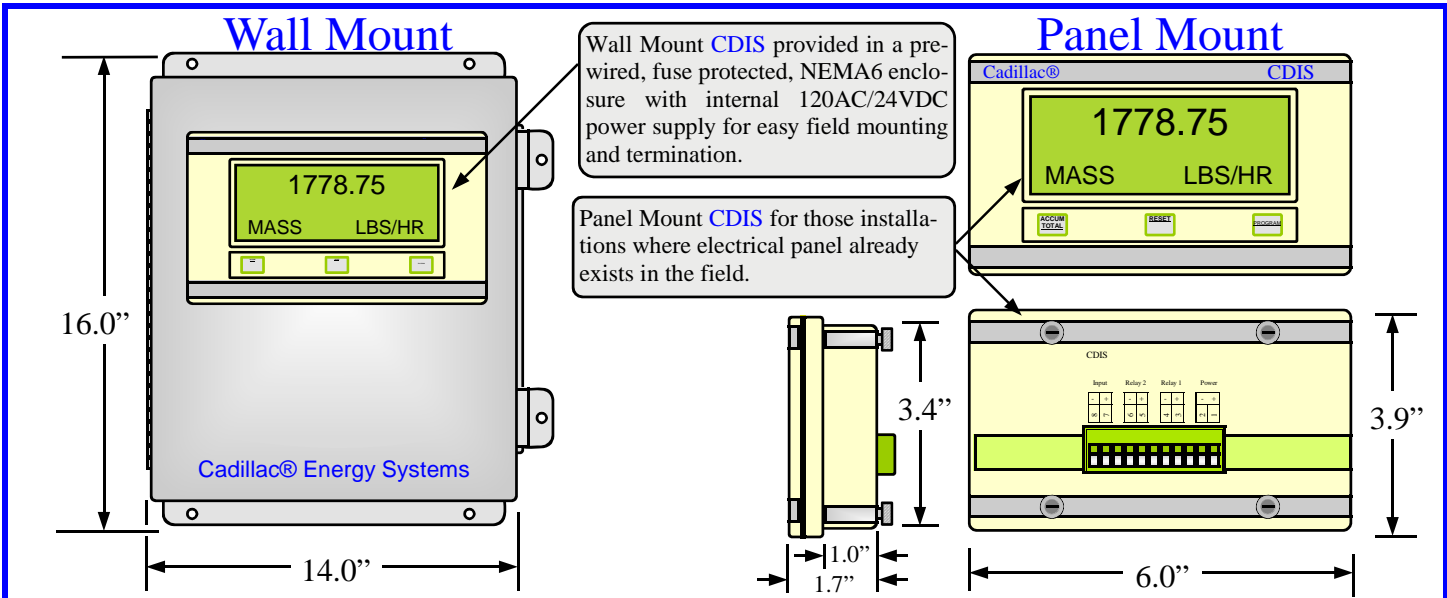


CV-P Vortex meter with MASS option for Saturated Steam

Low Pressure Steam supply to Heat Exchanger

Hot Condensate and carry over steam from Heat Exchanger

Hot water Return or cold water makeup for "point of use", or closed loop Hydronic heating system



CADILLAC® MASS FLOW STATION SYSTEM GENERAL SPECIFICATIONS

SATURATED STEAM MASS SYSTEM SPECIFICATION:

◆ The entire MASS Measurement System shall be supplied, calibrated, and commissioned (if necessary) by a single manufacturer, Central Station Steam Co, and shall consist of a Remote display and a CV Vortex shedding flow meter, with an embedded RTD in shedder bar. A certificate of NIST traceable calibration shall be provided with each system.

REMOTE DISPLAY:

◆ Provide a Cadillac® CDIS Remote display. The remote display meter shall provide the following measurements at the local display. MASS flow rate, Total MASS, Accumulated MASS. The remote display meter shall provide the following output(s) from the local display. Pulse output (scaled or unscaled) and one alarm (high or low) or two alarm outputs (high and low). Each meter shall be factory configured for its specific application, and shall be reprogrammable using the front panel keypad (no special tools or computer required). Remote display available with 10 point linearization correction for K-factor corrections from flow meter as option.

FLOW METER:

◆ Provide a Cadillac® CV-P, CV-HS, or CV-U Vortex flow meter. The meter will have no moving parts, have an integral RTD temperature sensor embedded in flow body assembly, while providing an accuracy of +/- 1.00% of rate in saturated steam regardless or load or pressure changes in system during operation. If meter is and installed for "Best Fit" on basis of process conditions meter will have 30:1 turndown. Meter will be provided with integral including a local 2-line backlit LCD for parameter viewing and easy interface / configuration. Meter will be preconfigured for application, but may be field adjusted through local display (no special tool or computer required).

CADILLAC® CDIS MODEL NUMBER STRUCTURE

CDIS		Cadillac Remote Display
D		Area Rating: General purpose
I		Area Rating: Intrinsically Safe
P		Enclosure: Panel Mount
W		Enclosure: Wall Mount
0		Output(s): (2) Relays Pulse and/or Alarm(s)
1		Output(s): 4-20 mADC, (2) Relays Pulse and/or Alarm(s)
DC		Power Supply: 12-24 VDC (Panel Mount Only)
AC		Power Supply: 100 130 VAC (Wall Mount Only)
A		Hazardous Approvals: CSA - US and Canadian approval
C		Hazardous Approvals: Cenelec
X		Standard (Without Linearization)
L		Linearization

HEATX ENERGY / BTU METER FOR HOT/CHILLED WATER

Central Station Steam Co. also offers a Cadillac® HEATX BTU / Energy Meter offering for *Hot and Chilled water* Energy flow measurements for use with the CMAG and EMAG magnetic flow meters. The HEATX display has the same electronics platform and enclosure as the CDIS Remote display and configures in a similar fashion for the same look and feel. Please contact Central Station Steam Company for more information on this offering!